



ABACO MACHINES
OPERATION MANUAL
ABACO 4 WHEEL SLAB DOLLY



ABACO MACHINES USA, INC.
(EAST COAST OPERATION)

505 Edwards Court
Newport News, VA 23608

Tel: 757-877-5243

Fax: 757-877-5863

Email: sales@abacomachines.com

Website: www.abacomachines.com

ABACO MACHINES USA, INC.
(WEST COAST OPERATION)

20224 S. Normandie Ave.
Torrance, CA 90502

Tel: 310-532-0366

Fax: 310-532-0499

Email: sales@abacomachines.com

Website: www.abacomachines.com

ABACO MACHINES
INTERNATIONAL

Unit 4/34-36 Fairfield Street
Fairfield N.S.W. 2163 Australia

Tel: 61-2-9632-4990

Fax: 61-2-9632-1510

Email: abacomachines@abaco.com.au

Website: www.abaco.com.au

I. PRODUCT OUTLINE

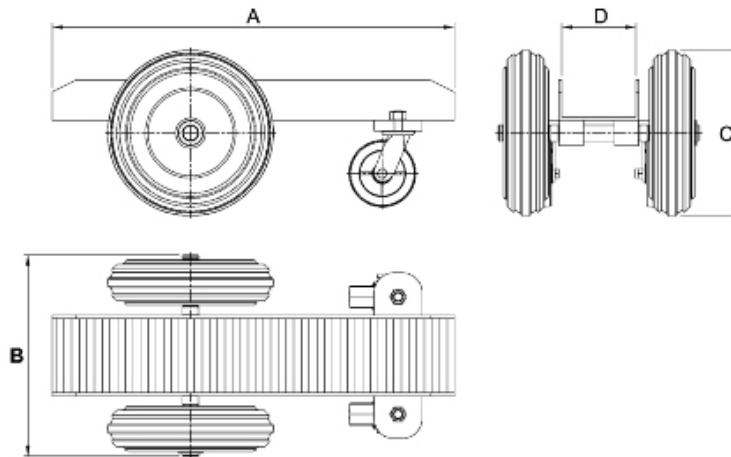
The Abaco 4 Wheel Giant Dolly is used to move materials around the workplace and also on-site.

The Dolly is joined by 2 solid rubber wheels, 2 swivel wheels and a channel. The rubber is vulcanized to the bottom, sides and top of the trolley to avoid chipping any edges on the finished work piece.

II. STRUCTURE

The 4 Wheel Dolly is constructed of two 8" (ø205mm) solid rubber wheels, two swivel wheels and a steel channel.

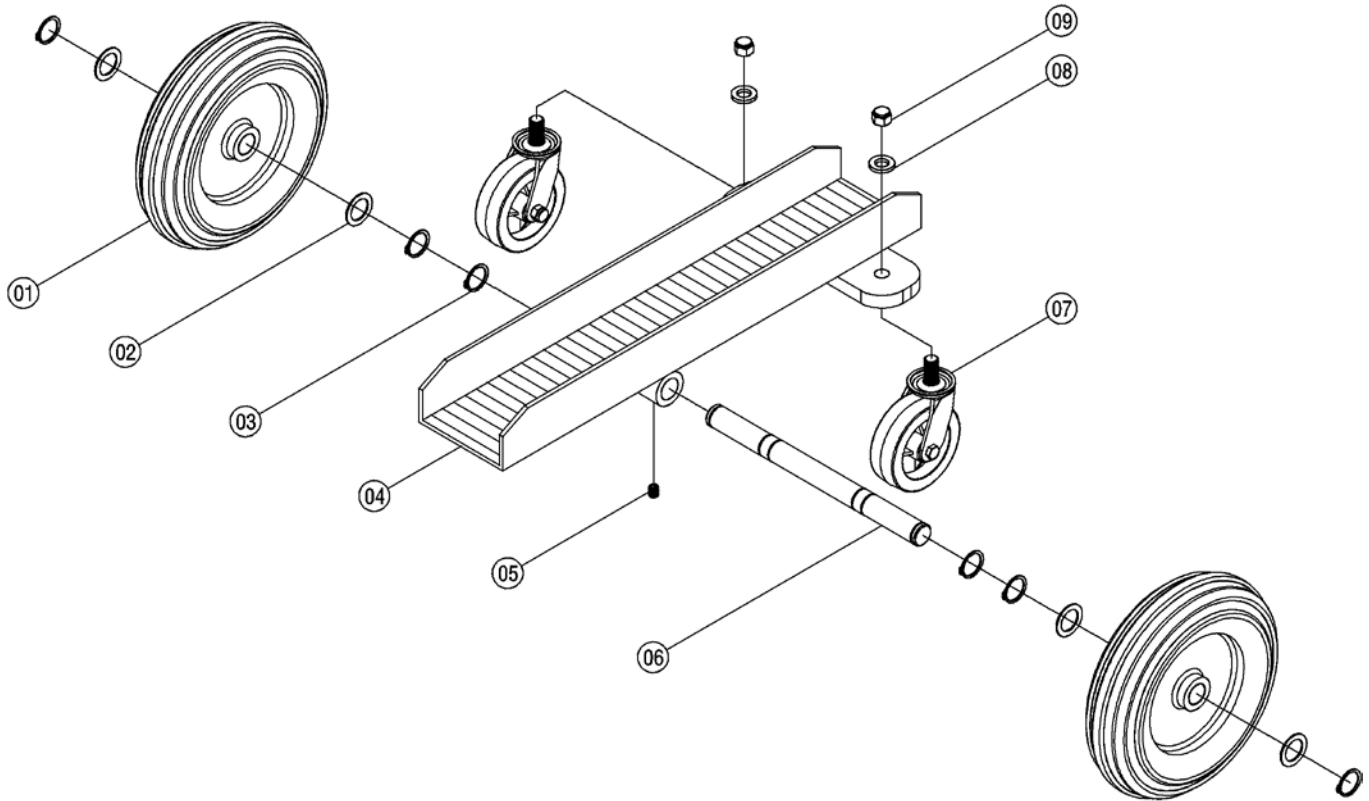
SPECIFICATIONS



Model Number	A Inches (mm)	B Inches (mm)	C Inches (mm)	D Inches (mm)	Net Weight Pounds (kg)	W.L.L. Pounds (kg)
SDS003	19 ⁵ / ₈ (500)	9 ⁷ / ₈ (250)	8 (205)	3 ¹ / ₈ (80)	26.4 (12)	650 (300)
GDS003	19 ⁵ / ₈ (500)	13 ³ / ₈ (340)	8 (205)	6 ⁵ / ₈ (170)	30 (13.5)	650 (300)

III. ASSEMBLY INSTRUCTIONS

1. Insert the wheel shaft (06) into the body (04) and secure it by the circlip (03).
2. Place the two solid wheels (01) onto the wheel shaft (06) with the washers (02) and secure by the circlips (03).
3. Secure the shaft by using the bolt (05).
4. Fix the two swivel wheels (07) on the front of the body (04).



IV. SPARE PARTS

Number	Description	Qty
1	Solid Wheel 8" (ø205mm)	2
2	Copper Washer ø20mm	4
3	Circlip ø20mm	6
4	Body	1
5	M6 x6 Counter Sunk Screw	1
6	Wheel Shaft	1
7	3" Swivel Caster	2
8	Steel Washer ø12mm	2
9	M12 Nylon Nut	2

V. INSTRUCTIONS FOR USE



When you want to move a panel, follow this procedure:

1. Place the panel, marble or granite, slightly off center so it can easily be transported.
2. **HOLD** the panel and move the Dolly to the desired location.

VI. MAINTENANCE AND INSPECTION

Lubricate the shafts and bearings monthly.

Check the bearings and the shaft for signs of wear and tear.

VII. WARRANTY

At the time of delivery, it is necessary to ensure that the Dolly has not been damaged during shipment. Any claims must be presented within eight (8) days of the date of delivery of the product.

We grant you six (6) months warranty on the Dolly counted from the day of purchase.

The warranty coverage is not applicable:

- When the Dolly has been misused.
- When the maximum capacity is exceeded.
- When the damages are due to inadequate maintenance and inspections.
- When the damages are due to improper storage.
- When repairs are performed by the user without our permission.
- When non-original spare parts are used.

